

# SupIR 26-105mm f/1.6, Motorized Continuous Zoom 680320



**HD**  
FORMAT

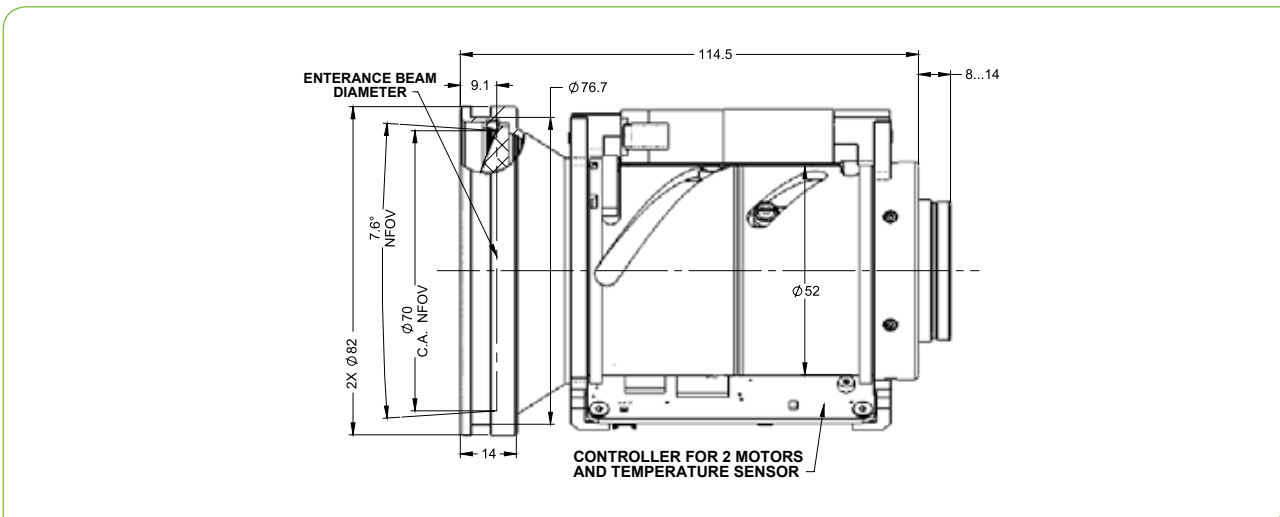
## WFOV(26mm)

HFOV	320x240	640x480	1024x768
17μ	12.5°	25.3°	
12μ	8.8°	17.7°	28.7°

## NFOV(105mm)

HFOV	320x240	640x480	1024x768
17μ	3.0°	5.9°	
12μ	2.1°	4.2°	6.7°

Property	Value	
<b>Optical</b>	<b>WFOV</b>	<b>NFOV</b>
Focal Length	26mm	105mm
F#	1.6	
Average transmission (8-12μm)	94% (HD)	
Back Focal Length	37.735 mm in air	
Minimum Focus Range	4m	15m
Nuc (by defocus)	Yes	
<b>Mechanical</b>		
Focus Mechanism	Motorized	
Focus Time (minimum range to ∞)	≤5 sec.	
Zoom Mechanism	Motorized	
Zoom Time (NFOV to WFOV)	≤8 sec.	
Weight	600gr	
Max. Dimensions	Ø82mm x 114.5mm	



LWIR | ZOOM

Property		Value				
<b>Electrical</b>						
Lens Control		Designated lens controller				
Supply Voltage		12V				
Current Consumption		<0.8A average, 1.5A peak				
Communication Protocol		RS422 or RS232				
<b>Environmental</b>						
Operation Temperature		-32°C to +70°C				
Storage Temperature		-40°C to +80°C				
Sealing		IP 67 front element only				
Configurations	Weight (gr)	Dimensions	BWD**	Interface	Coating	
680320-001	600	Ø82mm x 114.5mm	9.7	M34x0.5 (adapter)	HD	
680320-002					LRHC	

\* The ICD drawing provided here is primarily a representation and may not accurately reflect the product's actual dimensions and specifications. For precise integration specifications contact your local sales representative.

\*\* The BWD value is calculated for a unique detector setup with varying sealing windows in terms of thickness and material. For more details, contact your local sales representative.

\*\*\* Adapters for different cameras are available upon request